

# SMARTair™ Cabinet Locks

Wireless and battery powered

## Technical data – SMARTair™ Cabinet locks

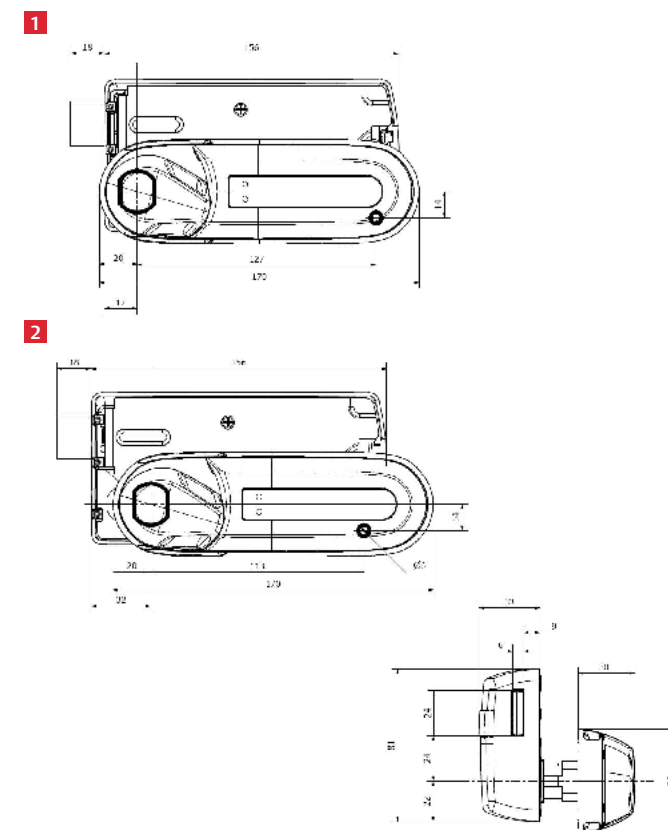
	<b>Application</b>	Ideal for lockers and cabinets
	<b>Verticals</b>	All industries (e.g. healthcare with medical cabinets, gyms)
	<b>Traffic volume</b>	Standard
	<b>Exterior usage</b>	Yes (IP55), Up to 85% humidity without condensation, Temperature (-20°C and +70°C)
	<b>Hardware compatibility and installation</b>	High retrofit, Drilling, no cabling
	<b>Power supply</b>	Battery (up to 20.000 Cycles and max. 3 years), 3 x Standard LR03 AAA 1.5V batteries
	<b>System management</b>	Stand-Alone, Offline, Update on Card, Wireless online
	<b>Multi-authentication</b>	No
	<b>Status information</b>	No
	<b>Certifications</b>	CE

## SMARTair™ Cabinet lock



1. RFID reader with LED (green/red signal) with 1cm read/write distance
2. Special water resistant bracelet for Health Spa's and swimming pools which enables users to go running or to swim available

## Technical drawings and dimensions



1. Right handed door short
2. Right handed door long